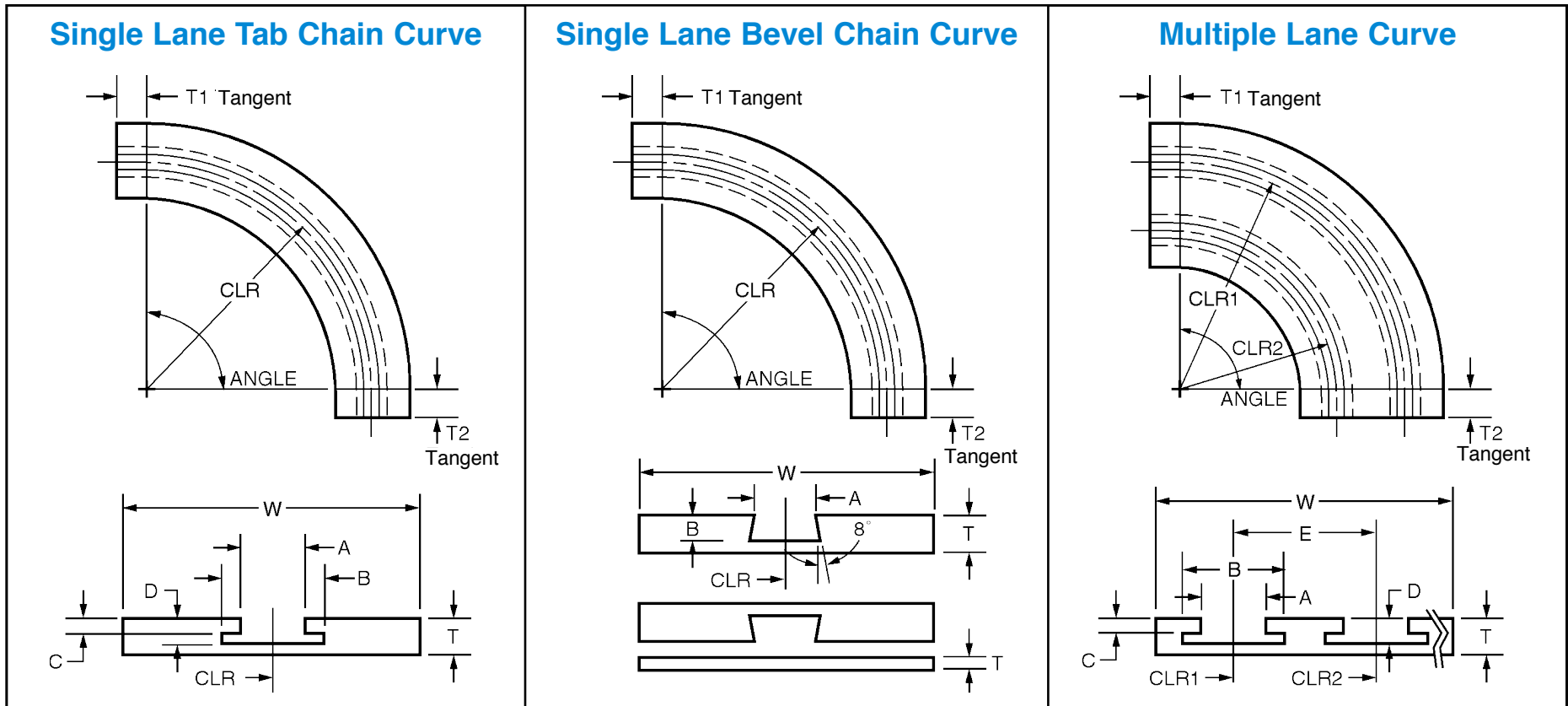


POBCO® Chain-Track Wear Strip worksheet (Solid Plastic)



Curve Information Needed

Material Type and Color: _____
 Angle: _____
 Ctr Radius: CLR1 _____ CLR2 _____ CLR3 _____
 Width: _____
 Thickness: _____
 Tangents (Y/N): T1 _____ T2 _____
 Chain#, Flight Width & Mfg: _____
 Quantity: _____
 Tab or Bevel Chain: _____

Straight Track Information Needed

Material Type and Color: _____
 Width: _____
 Thickness: _____
 Chain Number and Width: _____
 Quantity: _____
 Tab or Bevel Chain: _____
 Length: (10' std) _____

Suggested Materials:

- "U" – **ULTRA-D** (UHMWPE)
- "P" – **PLUS** (Fluid Lube-Filled UHMWPE)
- "GT" – **GLASS-FILLED TEFLON** (High temp)
- "URB" – **BLACK REPRO** UHMW
- "MD" – **MOLY-FILLED NYLON**
- "NW" – **NYWEAR** (Lube-Filled Nylon)
- "CPU" – **CPU** (High Wear UHMWPE)
- "DW" – **DryWear** (dry lube filled UHMW)

Other Plastics Available